

LED ADJUSTABLE TROFFER

**L20/30-TF22-35/50-D-ADJ-2PK,
L34/45-TF24-35/50-D-ADJ-2PK**

OVERVIEW

Simply Conserve's field-adjustable troffers are designed for installation in T-bar grid or drop-in ceilings. They are the ideal solution for replacing inefficient traditional fluorescent troffers. They produce an even, bright light ideal for commercial settings including office buildings, schools, hospitals, and more. Their attractive design allows them to integrate seamlessly into any setting, offering high-quality, reliable lighting.

KEY FEATURES

- Field-adjustable lumens and CCT
- Center basket design provides advanced light distribution with architectural styling
- Fits standard 1" "T-bar" grids
- L70-rated lifetime of 50,000 hours
- 0-10V dimmable
- High efficacy, excellent color rendering, and low glare

Catalog #		Type
Project		
Comments		Date
Prepared by		



ORDERING INFORMATION

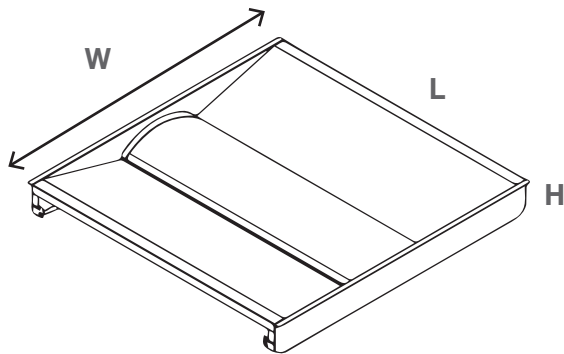
SOURCE	LAMP WATTAGE	LAMP TYPE	SIZE	CCT	OPTIONS
L = LED	20/30 = 20W, 25W, 30W	TF = Troffer	22 = 2' x 2'	35/50 = 3500K, 4000K, 5000K	D = 0-10V Dimming ADJ = Adjustable
	34/45 = 34W, 38W, 45W	TF = Troffer	24 = 2' x 4'		

SPECIFICATIONS

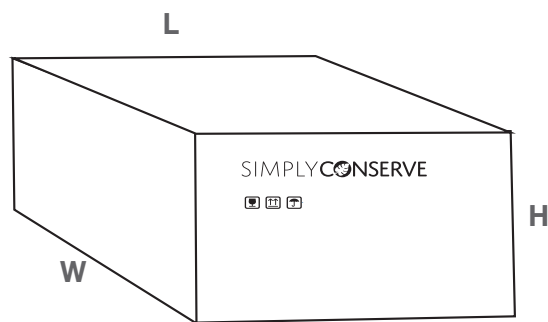
ITEM #	WATTS	CCT	LUMENS		CRI	VOLTAGE	DIM
L20/30-TF22-35/50-D-ADJ-2PK	20/25/30	3500/4000/5000K	2500/3125/3750	125 LPW	>80	120-277V	0-10V
L34/45-TF24-35/50-D-ADJ-2PK	34/38/45	3500/4000/5000K	4250/4750/5000	125 LPW	>80	120-277V	0-10V

DIMENSIONS

PRODUCT



CASE



CATALOG #	L	W	H
L20/30-TF22-35/50-D-ADJ-2PK	24.3"	24"	5"
L34/45-TF24-35/50-D-ADJ-2PK	48.7"	24"	5"

CATALOG #	L	W	H	CASE QTY	GROSS WT
L20/30-TF22-35/50-D-ADJ-2PK	24.4"	24.0"	4.92"	2	17.4 lbs
L34/45-TF24-35/50-D-ADJ-2PK	48.4"	24.0"	4.92"	2	27.7 lbs

5-Year Limited Warranty



AM Conservation ("AMC") warrants this product to be free from manufacturing defects for a period of five years from the date of consumer purchase or distribution by an energy conservation program, and has been properly installed, AMC will replace the LED adjustable troffer free of charge.

For warranty claims, please contact:

customer@amconservationgroup.com

To learn more, please visit:

www.amconservationgroup.com

L20/30-TF22-35/50-D-ADJ-2PK,
L24/45-TF24-35/50-D-ADJ-2PK



DAMP-RATED



INSTANT-ON/OFF



NON-DIMMABLE



HORIZONTAL INSTALLATION



BEAM ANGLE
360°



50,000 HOURS



FLICKER-FREE



DOUBLE INSULATION



PHOTOCELL COMPATIBLE



PC LENS



EASY TO INSTALL



TRUE COLOR



MERCURY FREE



LINKABLE

